

MKLI Roof transition

- 15 standard models: duct dimensions 200x200 up to 1600x1600 mm
- Material Magnelis (zinc-magnesium coated steel sheet)
- Standard height 1200 mm
- Can be ordered with EI120 fire insulation
- On special order, we manufacture special dimensions and from special materials, including painted

The MKLI roof transition is designed for installation with roof hoods, air intake devices and a roof fan. For connection with the roof fan, the MKLI is also equipped with an electrical cable conduit.

The MKLI roof transition can be easily installed in the roof structure by the angle brackets.

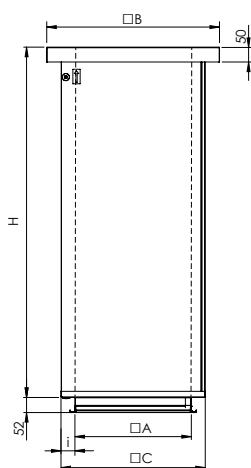
Factory-made roof transition with suitable roof hoods ensure the best waterproof and safe solution.



Material and dimensions

- As standard manufactured of zinc-magnesium coated sheet steel (ZM310) and insulated with 50 mm mineral wool.
- Connecting with rectangular duct the roof transition is equipped with E20 profile
- For insulation material is used Cleantec coated mineral wool slab
- Possible to produce with 100 mm fire insulation mineral wool (compliance to EI 120 class) and non-perforated sheet steel inner shell. Used fire insulation meets the testing methods requirements according to EN1366-1 and is VTT certified. Fire insulation strengths in accordance with EN-13501-1.
- Standard height 1200 mm. Other heights can be ordered (800-2000 mm).
- As standard, the roof transition is equipped with cable conduit for electric cable installation. The cable drawn in through the bottom of the roof transition and exit 100 mm from the top edge.
- For installation the roof transition comes as standard with two installation brackets (100x100x1,2 L=1200).
- As an accessory, a non-return damper and a fitting for rectangular or round duct/roof hood connection.

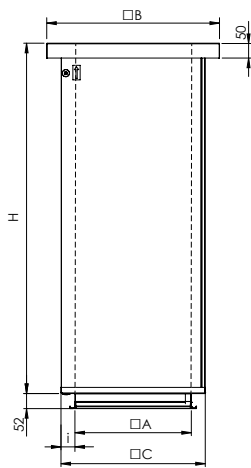
MKLI with 50 mm insulation



Opening size = C+20 mm

Size	A, mm	C, mm	B mm	Weight, kg
2	200	295	395	17
3	300	395	495	24
4	400	495	595	30
5	500	595	695	36
6	600	695	795	43
7	700	795	895	51
8	800	895	995	58
9	900	995	1095	75
10	1000	1095	1195	83
11	1100	1195	1295	91
12	1200	1295	1395	100
13	1300	1395	1495	108
14	1400	1495	1595	117
15	1500	1595	1695	126
16	1600	1695	1795	135

MKLI with 100 mm insulation



Opening size = C+20 mm

Size	A, mm	C, mm	B mm	Weight, kg
2	200	395	495	25
3	300	495	595	33
4	400	595	695	40
5	500	695	795	47
6	600	795	895	55
7	700	895	995	66
8	800	995	1095	83
9	900	1095	1195	93
10	1000	1195	1295	102
11	1100	1295	1395	112
12	1200	1395	1495	122
13	1300	1495	1595	132
14	1400	1595	1695	143
15	1500	1695	1795	153
16	1600	1795	1895	135

Markeerimine

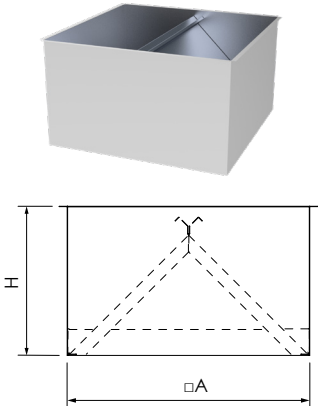
MKLI - Material - Size - H - Insulation - RAL

Marking					
Material	Standard zinc-magnesium coated steel sheet H – acid-proof steel sheet (AISI 316)				
Size	2, 3, 4, 5, 6, 7, 8, 9, 10, 11, 12, 13, 14, 15, 16				
Height H	800, 1000, 1200, 1500, 2000 mm				
Insulation	50 - mineral wool 50 mm EI120 – fire insulation, 100 mm (always used with steel sheet)				
RAL	RAL colour, when coated				

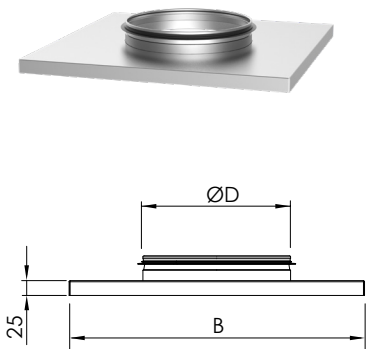
Example: **MKLI 3-1200-50**
 MKLI 3-800-EI120
 MKLI-H 3-1000-EI120

Accessories:

MKLB Non return damper (top-mounted)	Size	A	H	Weight, kg
	2	190	150	1,3
	3	290	204	2,5
	4	390	255	3,9
	5	490	300	5,6
	6	590	353	7,5
	7	690	404	9,7
	8	790	450	12,3
	9	890	504	15,2
	10	990	554	18,4
	11	1090	604	21,8
	12	1190	654	25,6
	13	1290	704	29,7
	14	1390	754	34,0
	15	1490	804	38,6
	16	1590	854	43,6



MKLV (Size-d-BxB) Round coupling with rain-plate Example: MKLV 2-200-400x400	Size	B		d	Weight, kg	
		50 mm insul.	100 mm insul.		50 mm insul.	100 mm insul.
	2	400	500	100, 125, 160, 200	1,2	1,7
	3	500	600	250, 315	1,8	2,5
	4	600	700	315, 400	3,0	4,1
	5	700	800	400, 500	3,6	4,9
	6	800	900	500, 630	4,9	6,3
	7	900	1000	500, 630	5,7	7,3
	8	1000	1100	630, 800	6,3	8,0
	9	1100	1200	800	8,0	9,9
	10	1200	1300	1000	8,9	10,9
	11	1300	1400	1000	10,9	13,1
	12	1400	1500	1250	10,2	12,6
	13	1500	1600	1250	12,6	15,1
	14	1600	1700	1250	15,1	17,8
	15	1700	1800	1250	17,8	20,6
	16	1800	1900	1600	14,9	17,9



MKLU (Size-d) Rectangular coupling for round duct, E20-profile Example: MKLU 4-400	Size	A	d	Weight, kg
	2	200	100, 125, 160, 200	1,0
	3	300	200, 250	1,6
	4	400	200, 250, 315, 400	2,3
	5	500	315, 400, 500	3,1
	6	600	400, 500	3,8
	7	700	500, 630	4,6
	8	800	630, 800	5,4
	9	900	800	6,1
	10	1000	1000	7,1
	11	1100	1000	8,6
	12	1200	1000	10,2
	13	1300	1250	10,0
	14	1400	1250	11,8
	15	1500	1250	13,7
	16	1600	1600	12,0

