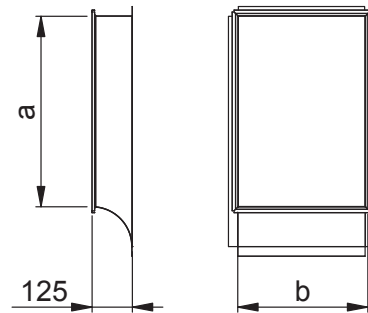


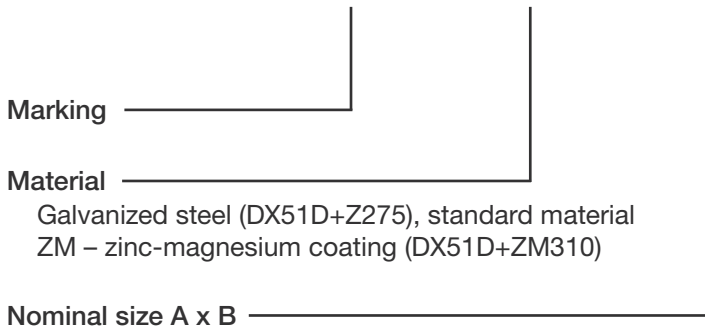
ESK-T Saddle

Flat saddle for a rectangular duct. One edge of the saddle is provided with a connection bar and the other edge is bent. Standard length is 125 mm. For connection the saddle is provided with flanges height 30 mm.



Product codes

ESK-T - Material - A x B



Example: ESK-T 600x400