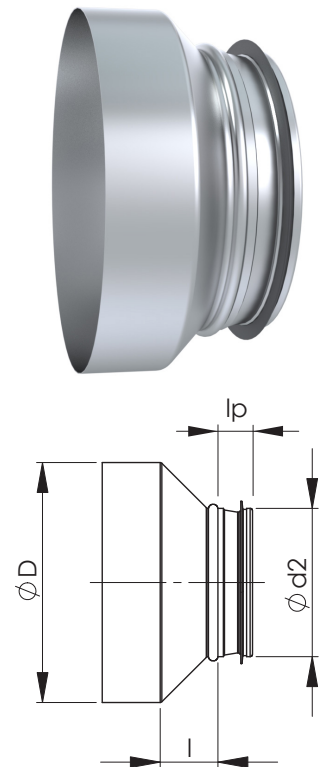


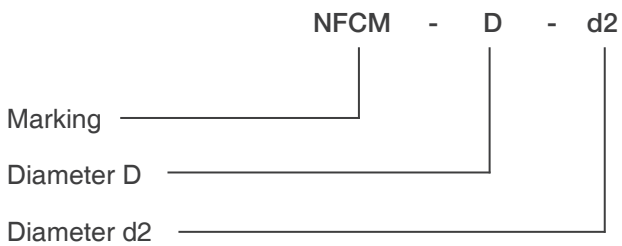
**NFCM Reducer, concentric (pressed)**

Concentric reducer between different sizes of ducts and parts.

Nominal size D-d <sub>2</sub>	l, mm	l <sub>p</sub> mm	Weight, kg
125-100	53	30	0,16
160-100	69	30	0,30
160-125	55	30	0,21
200-100	87	30	0,39
200-125	78	30	0,40
200-160	60	30	0,37
250-125	75	30	0,56
250-160	109	35	0,57
250-200	89	35	0,55
315-160	142	35	0,93
315-200	122	35	0,78
315-250	97	45	0,74



**Product codes**



Example: NFCM 315-250