

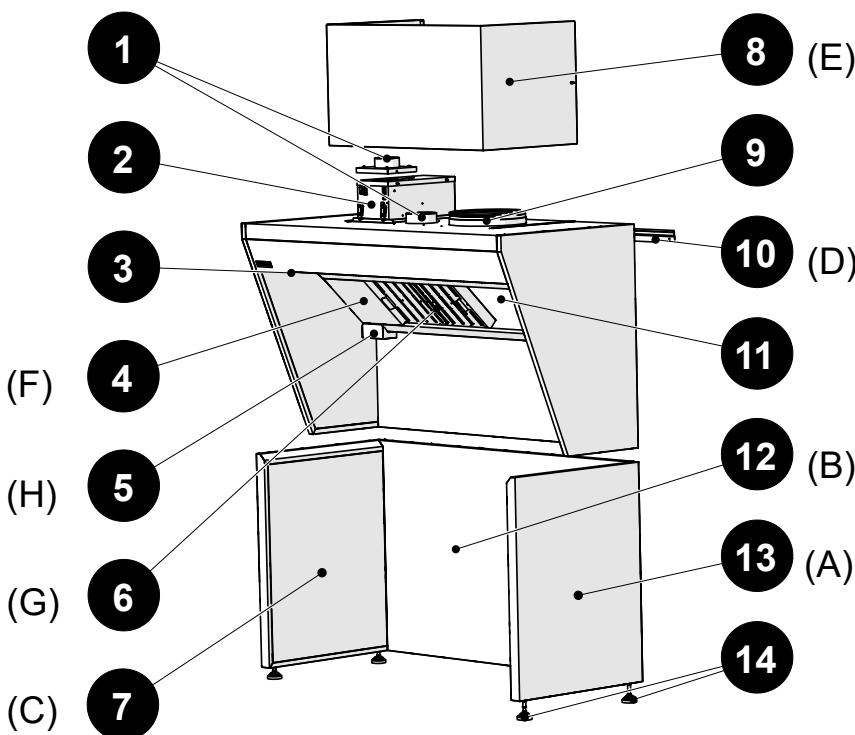
**NORD**canopy

HG Installation, use and maintenance manual

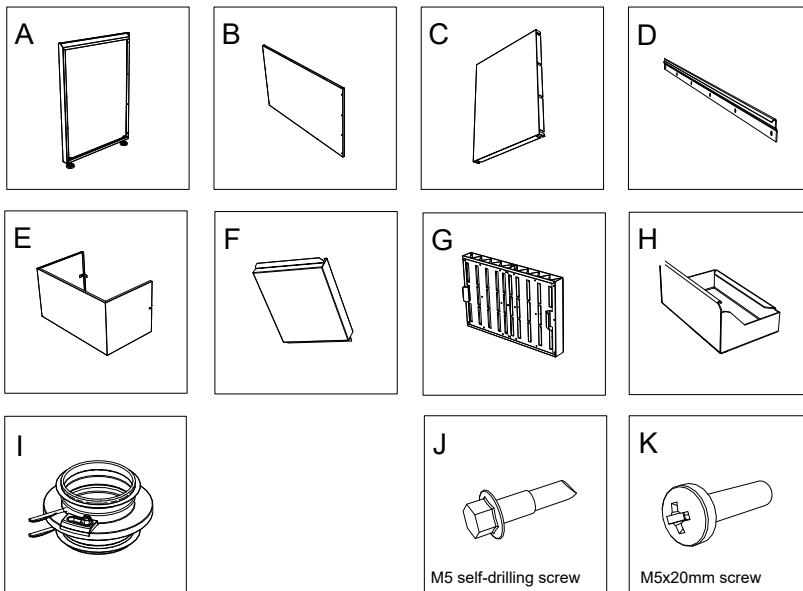
[www.nordcooking.com](http://www.nordcooking.com)

**Installation, use and maintenance manual**

1. A Frame installation canopy type HG2 .....4  
 1. B Wall installation canopy type HG1 .....5  
 2. Installing the ozonator .....6  
 3. Installing supply air adjusting damper.....6  
 4. Installing cover plate .....7  
 5. Installing HFK grease filters, blind plates and grease collection container.....7  
 6. Measuring and adjusting exhaust airflow.....7  
 7. Luminaire connection .....8  
 8. Replacing the luminaires .....8  
 9. Kitchen canopy maintenance.....8

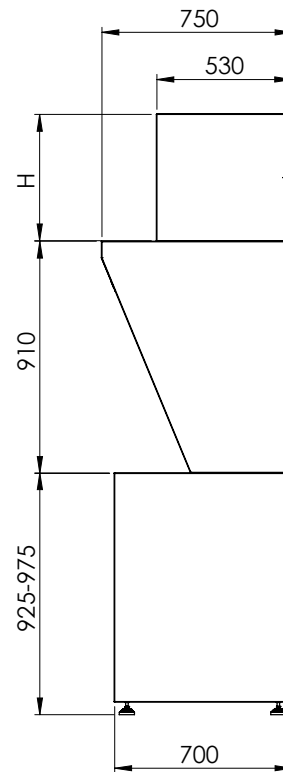
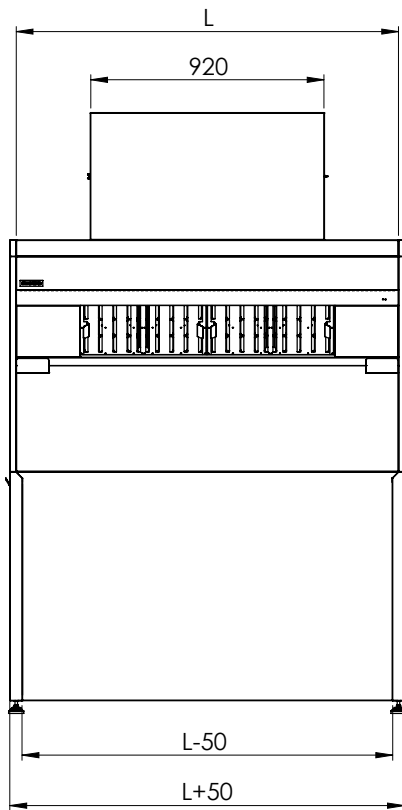
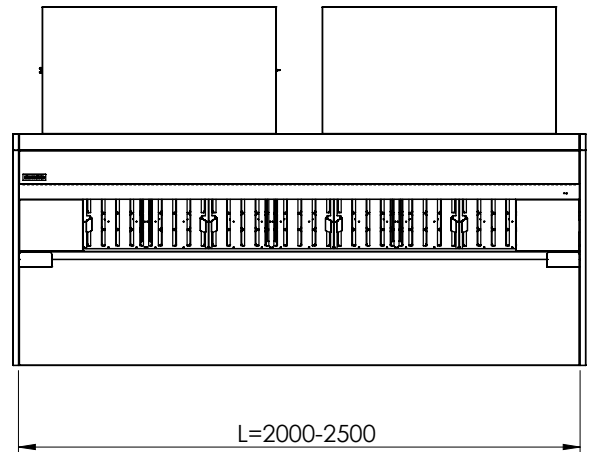
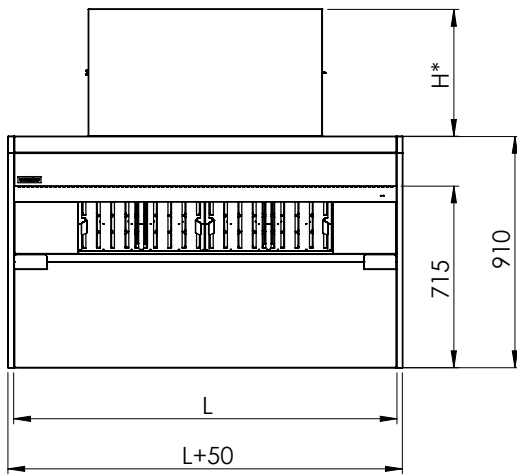
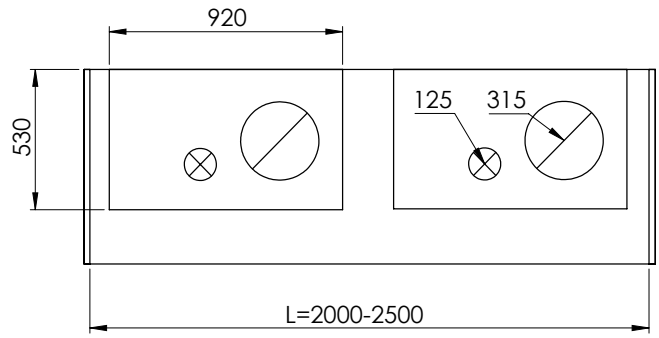
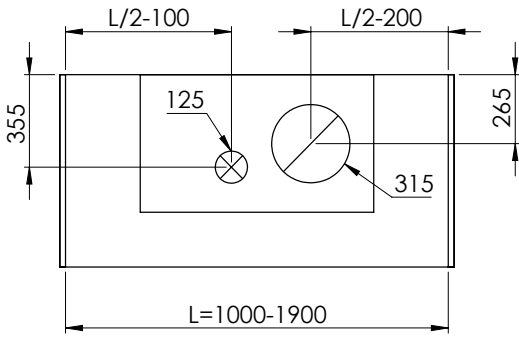


- 1- Supply air connection
- 2- Ozonator
- 3- "AirGrip" air nozzle system
- 4- Blind plate for grease filter rail
- 5- Grease collection container
- 6- HFK grease filter (500mm)
- 7- Canopy frame interior wall
- 8- Cover plate
- 9- Exhaust air connection
- 10- Suspension profile
- 11- Exhaust air adjustment plate
- 12- Canopy frame back wall
- 13- Canopy frame side
- 14- Adjustable feet



**In the kit:**

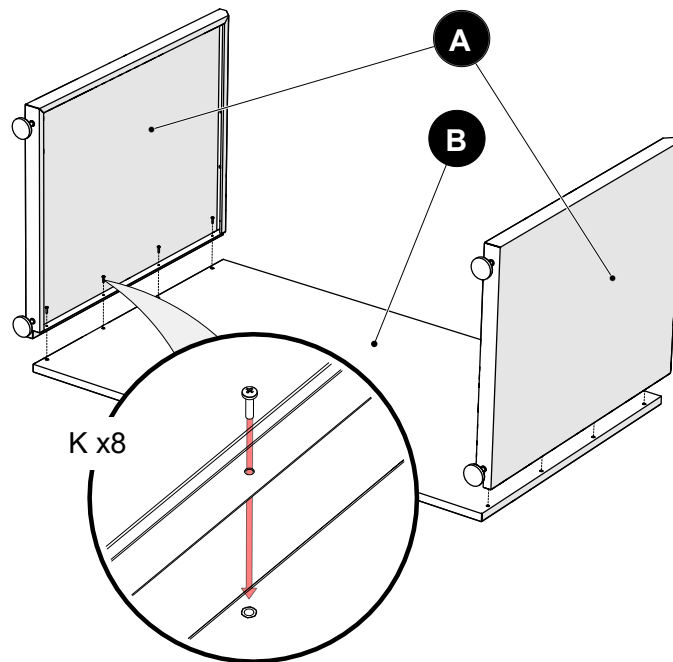
- A- Canopy frame side
- B- Canopy frame back
- C- Canopy frame interior wall
- D- Suspension profile
- E- Cover plate
- F- Blind plate for grease filter rail
- G- HFK grease filter
- H- Grease collection container
- I- KRI regulation damper
- J- M5 self drilling screws
- K- M5x20mm bolt



## 1. A Frame installation canopy type HG2

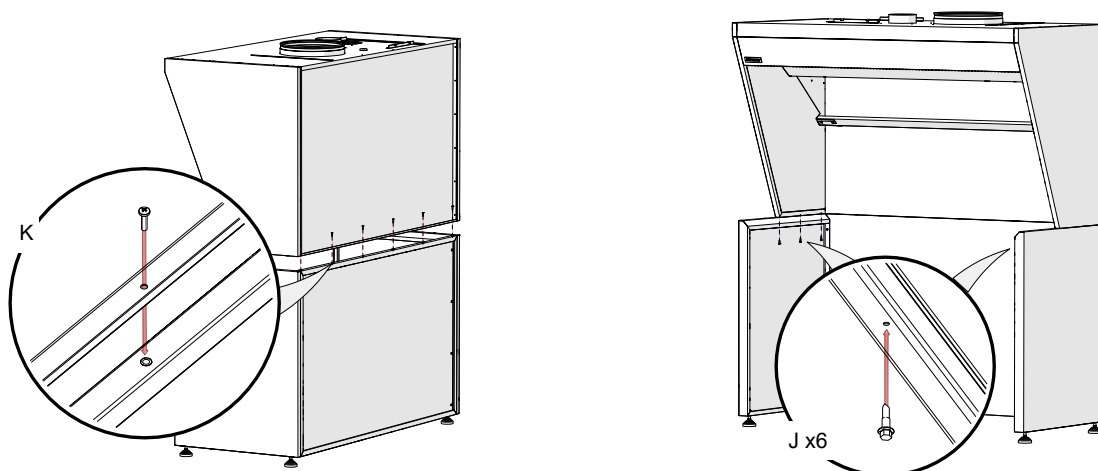
### A 1.1 Frame

Sidepanels are connected by M5x20mm bolts.



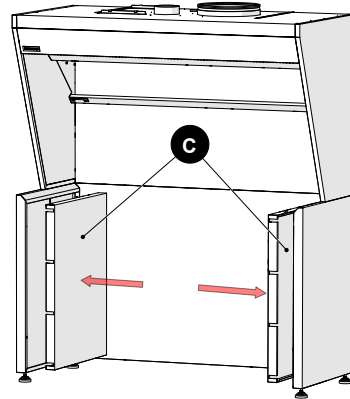
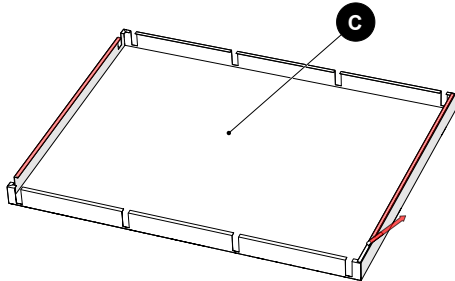
### A 1.2 Connecting the canopy with frame

First step of the connection is attaching the frame's back wall with M5x20mm bolts. Secondly the sides are attached with M5 self drilling screws.



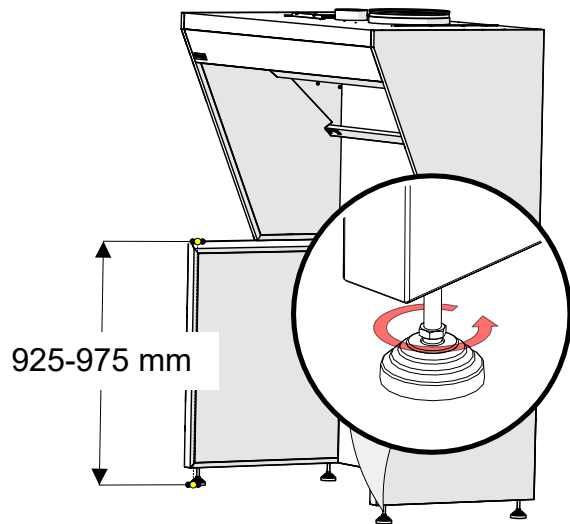
**A 1.3 Installing frame interior walls**

Interior walls are glued to side panels interior, using the tape attached to the product.



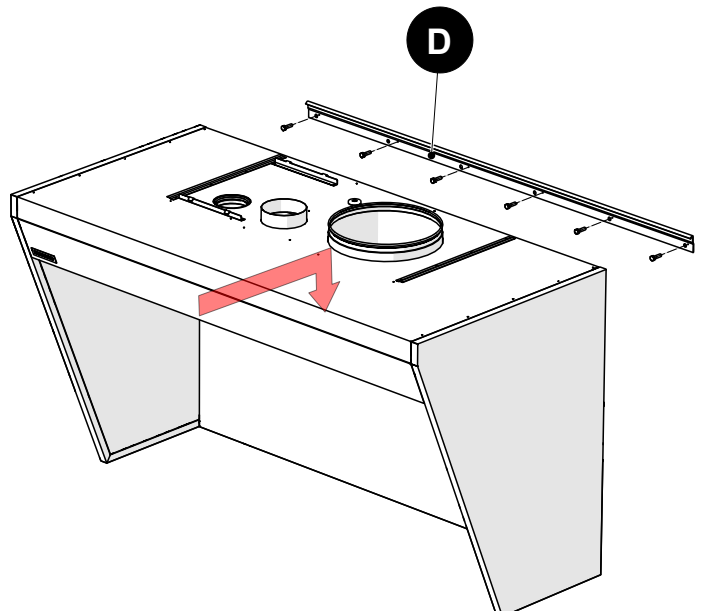
**A 1.4 Leveling the canopy**

Canopy is leveled in a way that the frame sides are reaching 25 mm above the work surface.



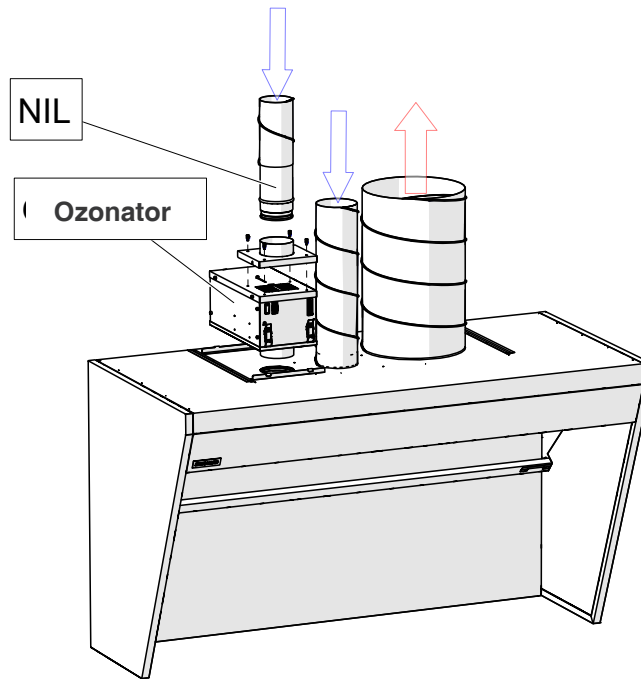
**1. B Wall installation canopy type HG1**

For installing the canopy on a wall, the suspension profile is used. When attaching the suspension profile to the wall, make sure it is on the right height and leveled properly.



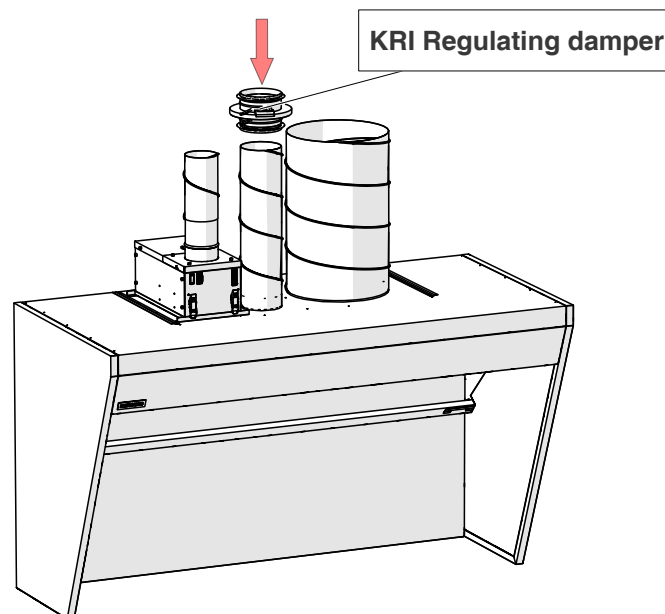
## 2. Installing the ozonator

Ozonator air duct is connected with NIL coupling in a way that the ozonator would be removable later on. Connection of the ozonator is show in the "Ozonator Installation and maintenance manual".

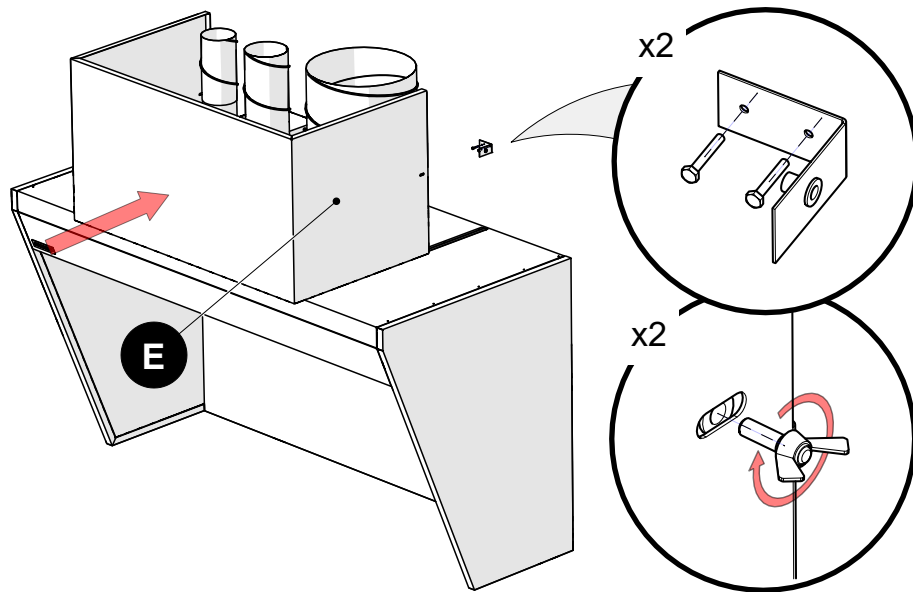


## 3. Installing supply air adjusting damper

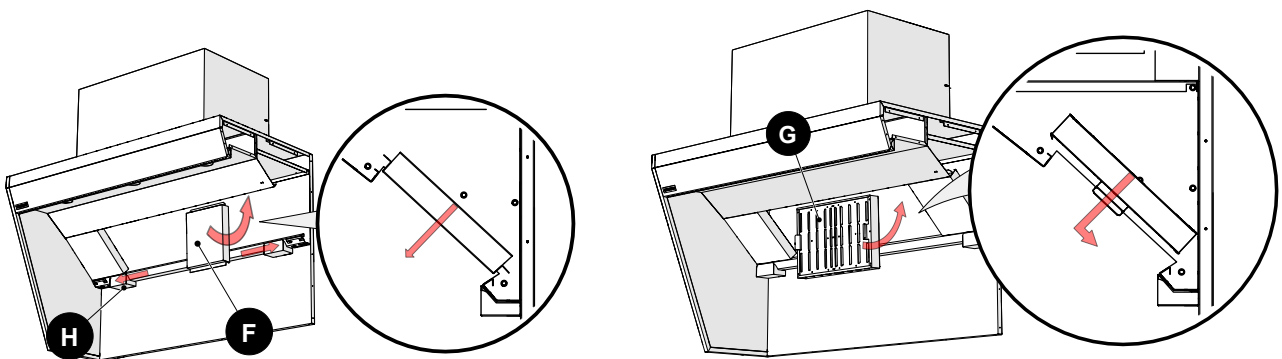
Supply air adjusting damper is used to regulate AirGrip air nozzle system.



**4. Installing cover plate**



**5. Installing HFK grease filters, blind plates and grease collection container**



**6. Measuring and adjusting exhaust airflow**

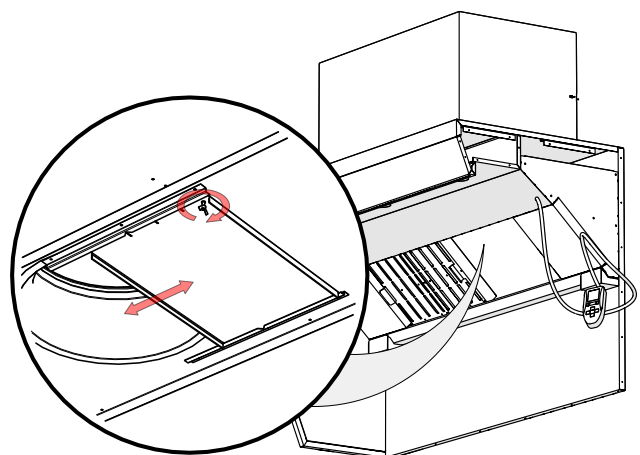
NORDcanopy canopies are fitted with measuring nozzles located inside the canopy.

ATTN! During measurement, HFK all grease filters and blind plates must be in place and the front panel must be closed.

In order to adjust supply airflow, the position of the adjusting plate located in the supply chamber is adjusted.

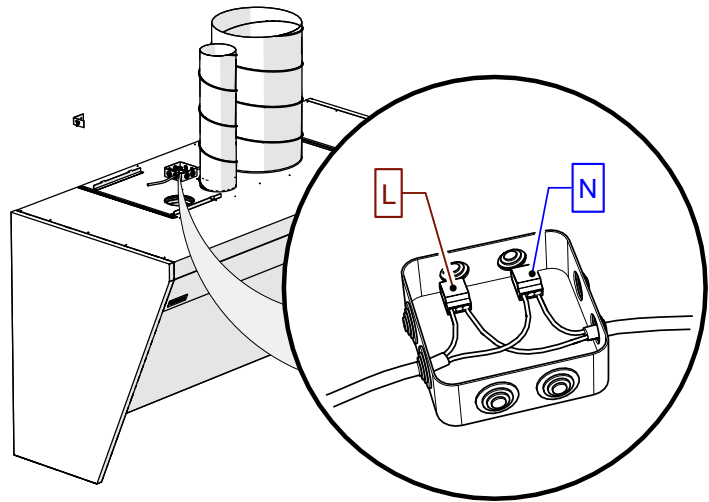
The exhaust airflow adjustment plate is located behind the HFK grease filters. Lock the adjustment plate in place using the butterfly nuts!

Exhaust K-factor = 16,6 (per filter)



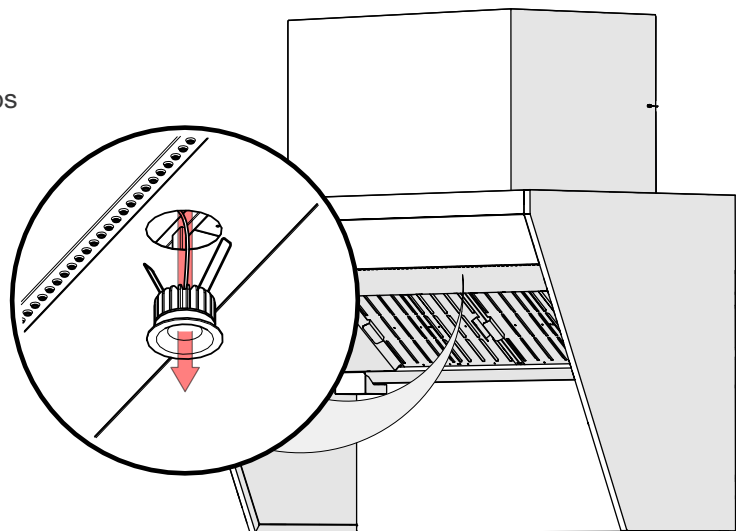
**7. Luminaire connection**

**NB! PERFORMED BT ELECTRICIAN**



**8. Replacing the luminaires**

Spot LED lighting is fastened with spring clips on the top surface of the canopy ceiling. For replacing the luminaire, it should be pulled downward from the canopy ceiling.



**9. Kitchen canopy maintenance**

**DEPENDENT  
ON THE  
FREQUENCY  
OF KITCHEN  
MAINTENANCE**

All internal and external surfaces of the kitchen canopy, including light fixtures, are cleaned using neutral cleaning agents. Carefully rinse the surfaces after cleaning, in order to avoid harmful interactions of cleaning agents and high temperatures. To clean the exhaust chamber, HFK filters and grease collection containers are removed from the kitchen canopy. To clean the supply chamber, the front panel of the kitchen canopy is removed.

ATTN! Do not use hard or abrasive detergents, chlorine or bleach when cleaning the canopy!

Never clean the kitchen canopy when any of its surfaces are hot.

The ozonator must never have any exposure to moisture!

**DAILY**

To clean HFK grease filters they must be removed from the kitchen canopy. Grease collection containers are removed and emptied. Both items may be washed by hand, in a dishwasher, or steam-cleaned.

Liquid grease must always be disposed of using methods approved according to local regulations.

ATTN! Grease collection containers must be inspected regularly and emptied if necessary.





### ETS NORD AS

Address: Peterburi tee 53  
11415 Tallinn  
Estonia

Phone: +372 680 7360  
info@etsnord.ee  
www.etsnord.ee

### ETS NORD Finland

Address: Pakkasraitti 4  
04360 Tuusula  
Finland

Phone: +358 0401 842 842  
info@etsnord.fi  
www.etsnord.fi

### ETS NORD Sweden

Address: Järsjögatan 7  
69235 Kumla  
Sweden

Phone: +46 707 80 50 16  
info@etsnord.se  
www.etsnord.se

### ETS NORD Denmark

Address: Nordholmen 6  
2650 Hvidovre  
Denmark

Phone: +45 9712 1314  
info@etsnord.dk  
www.etsnord.dk

