

NORDdoor - Installation instructions

Use

For inspecting and cleaning the ventilation ducts, the access doors are installed in easily accessible places. Placement in the duct system:

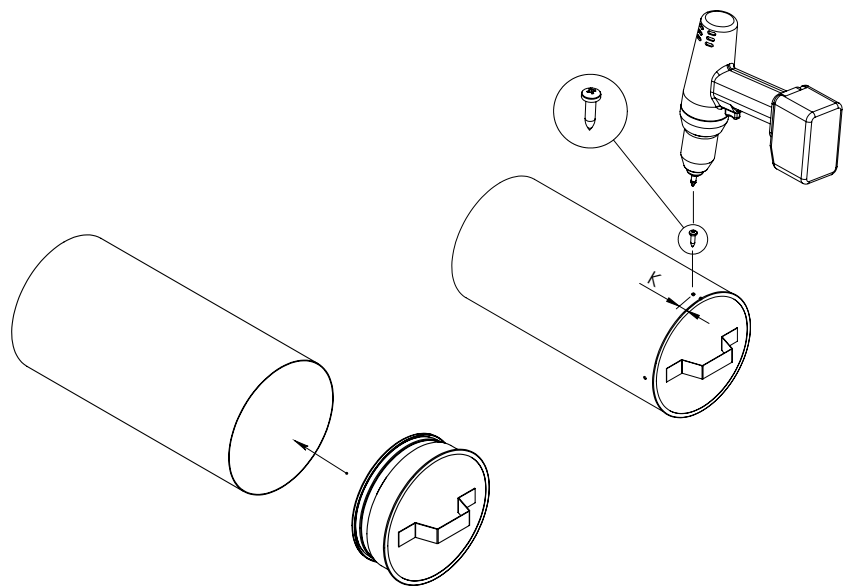
- The required distance between access doors depends on the construction and the cleaning method of the system.
- The locations and distances between the access doors should ensure the possibility for cleaning the ducts in their entirety.
- The access doors should be installed within fire barriers, into ducts close to bends of at least 45°, into horizontal ducts every 8 m (max. distance 10 m), and in branching points of the ducts.



NALH



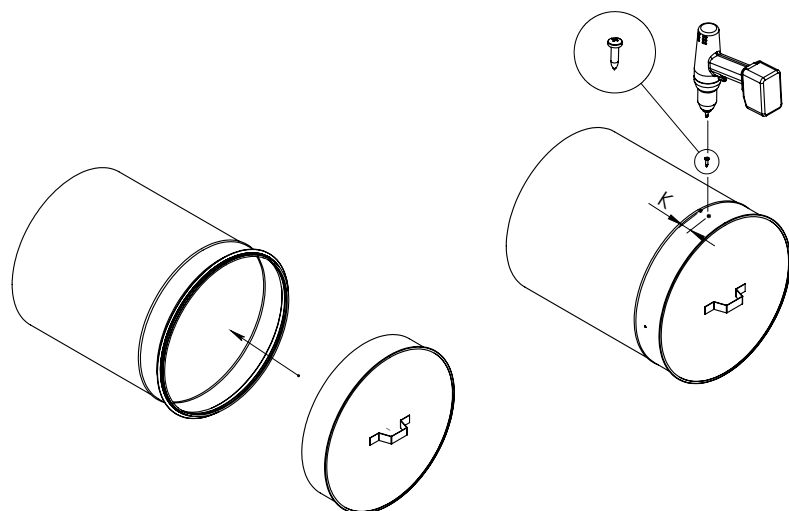
NALHE



NALMH



NALMHE



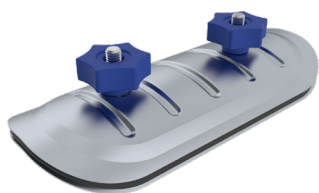
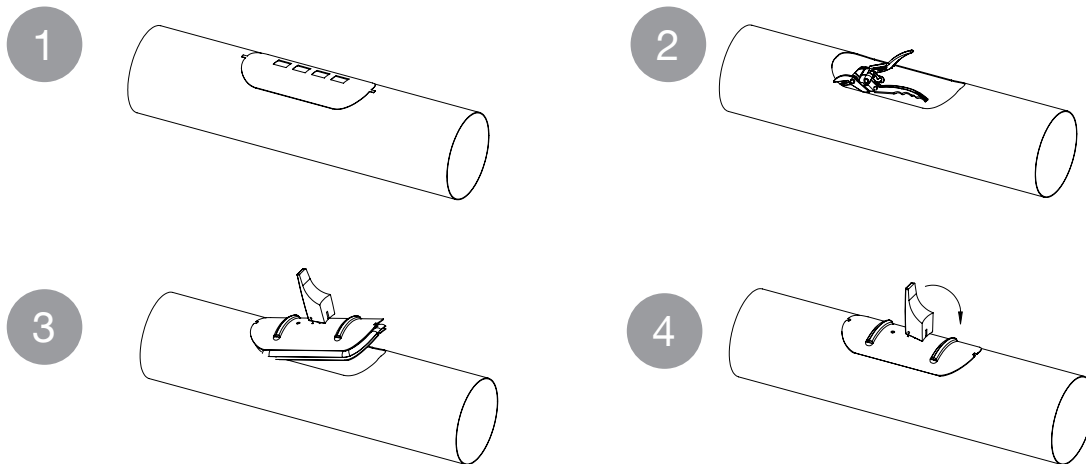
NORDdoor - Installation instructions



1. Attach the mounting template to the pipe directly in the longitudinal position.
2. Cut the edge along the label and finish the cut. Leave the mounting template alignment marks on the pipe.
3. Install the access door by using the opening alignment marks.
4. Lock the access door by twisting the handle down.

TL3

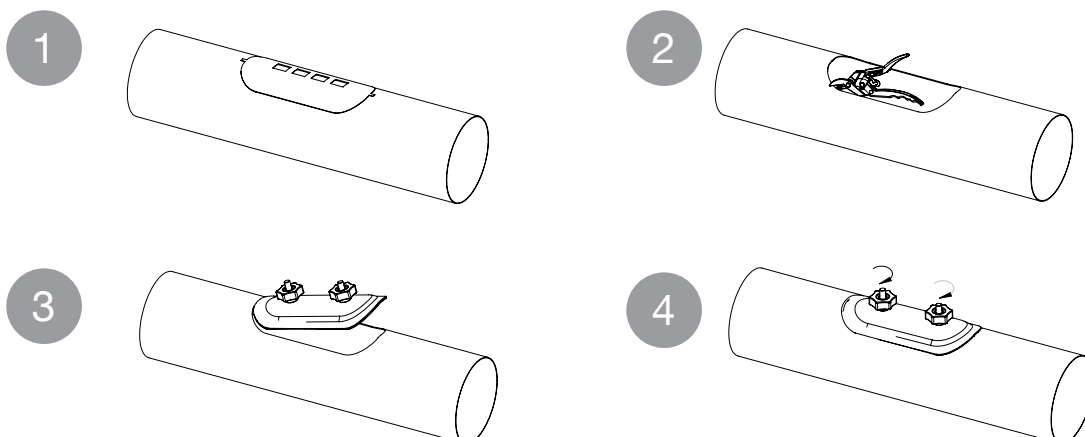
The quality of work is guaranteed by professional working methods.



1. Stick self adhesive template supplied with access door on duct.
2. Cut out aperture with tolerance of +3 mm.
3. Install access door by unscrewing the hand knobs until thread is level with top of bolt. Using both hands place the door in the hole at an angle, turn straight and pull out slightly to align.
4. Lock the access door by tightening knobs.

TLC

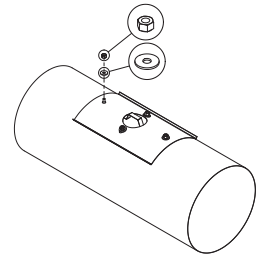
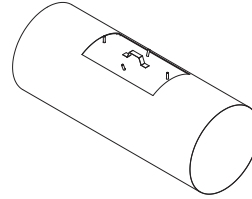
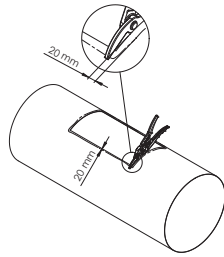
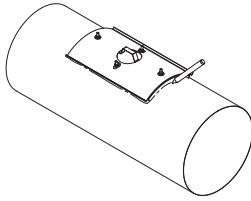
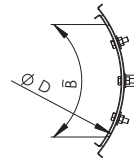
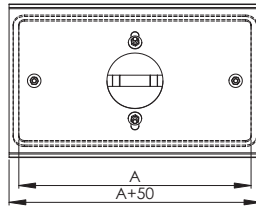
The quality of work is guaranteed by professional working methods.



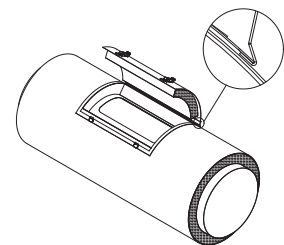
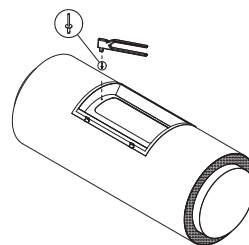
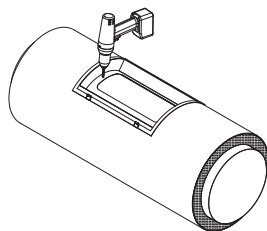
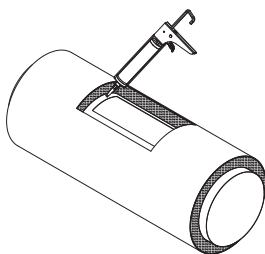
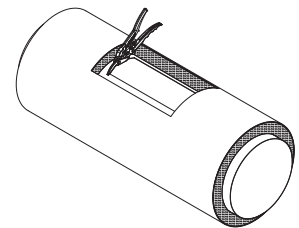
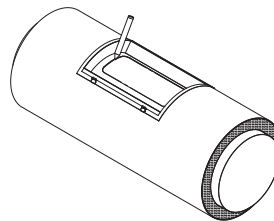
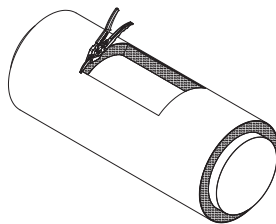
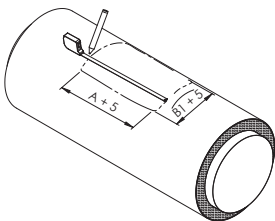
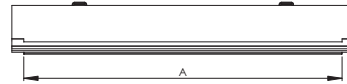
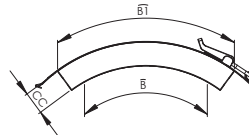
NORDdoor - Installation instructions



TLP

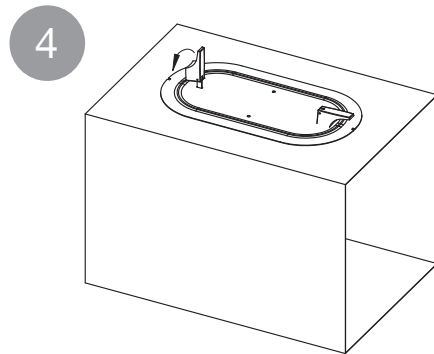
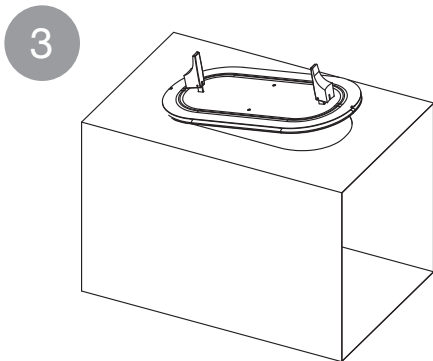
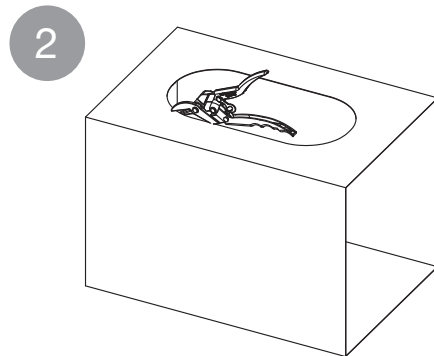
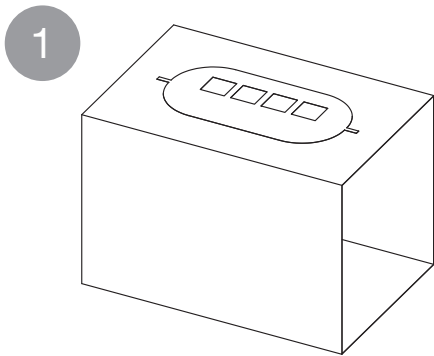
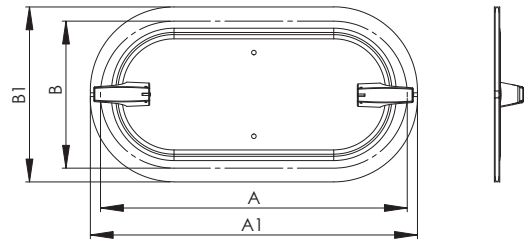


TLPE



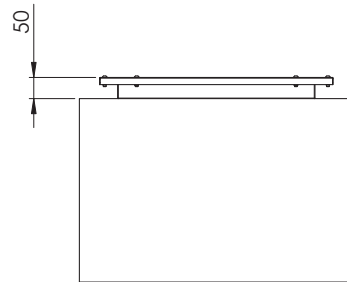
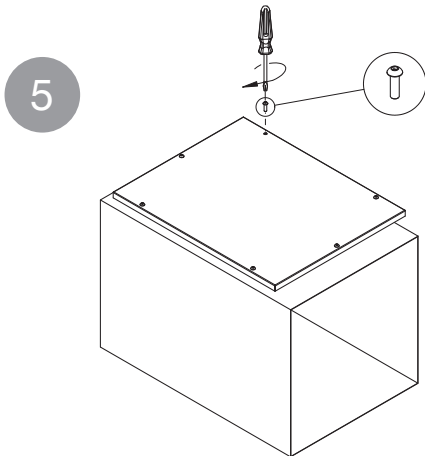
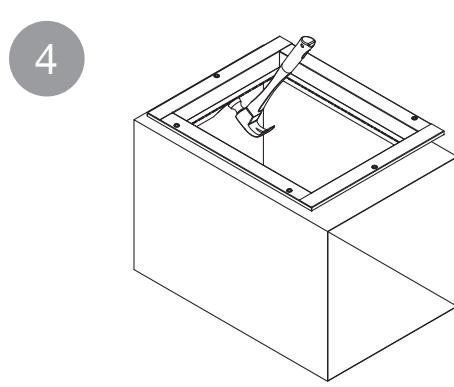
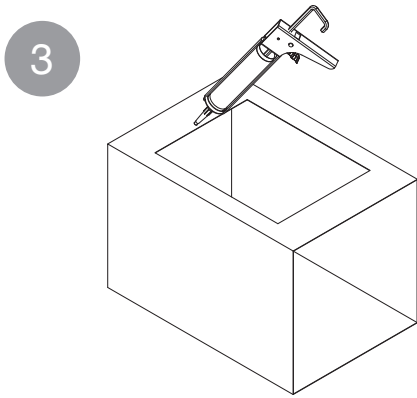
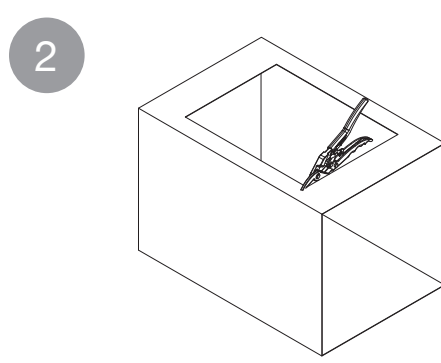
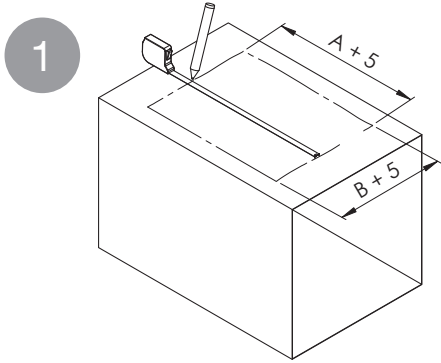
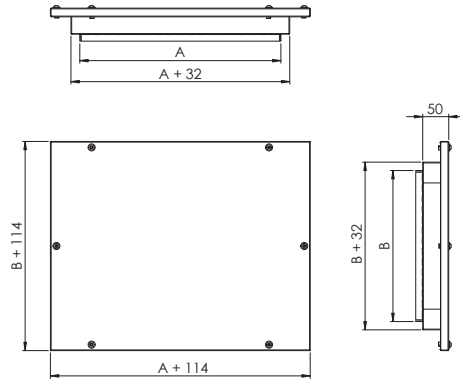
NORDdoor - Installation instructions

TL1

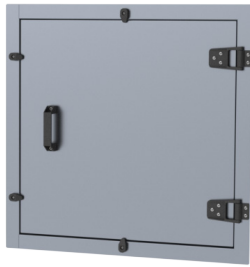


NORDdoor - Installation instructions

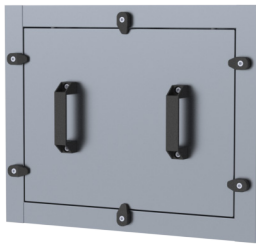
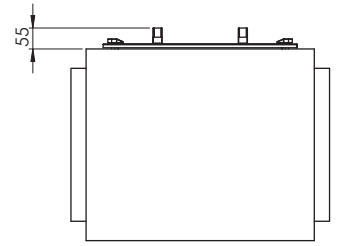
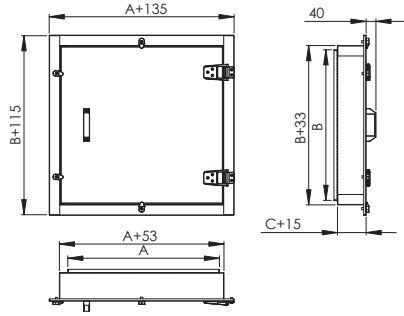
TLT



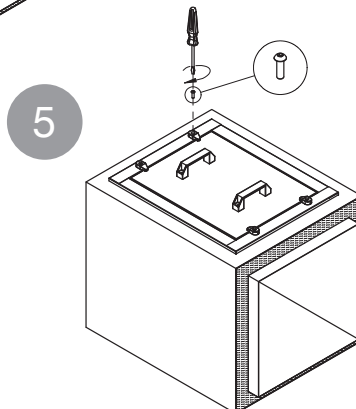
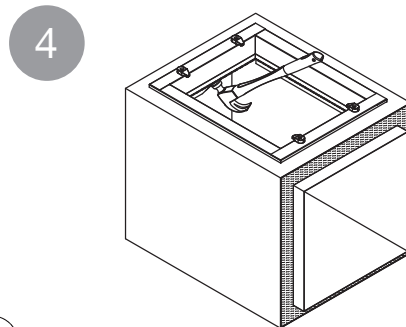
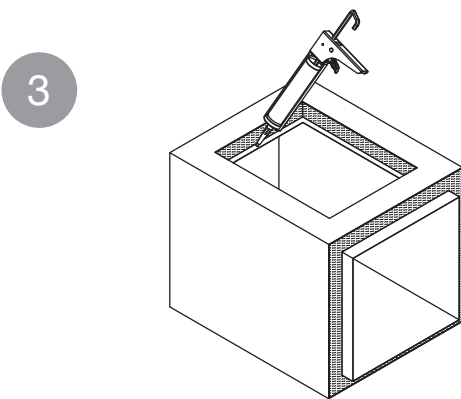
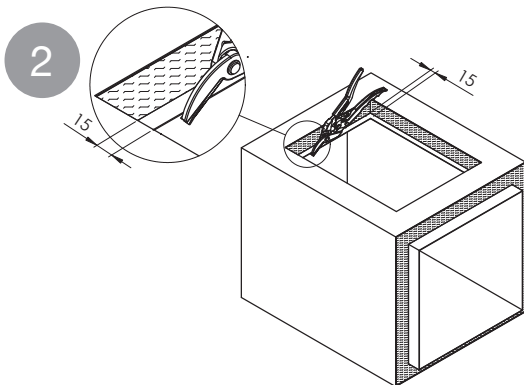
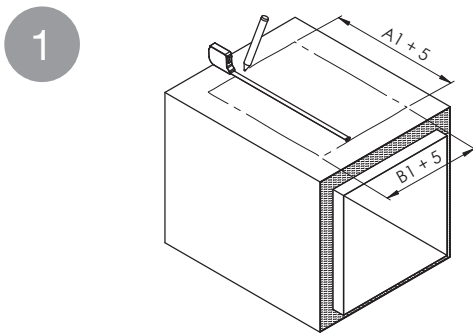
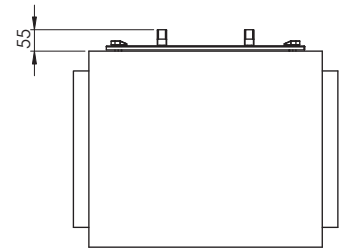
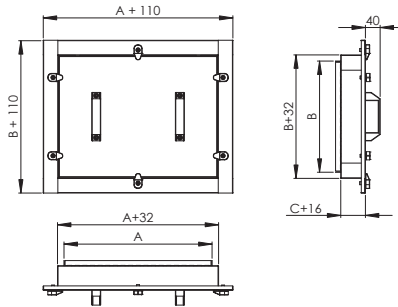
NORDdoor - Installation instructions



TLTU

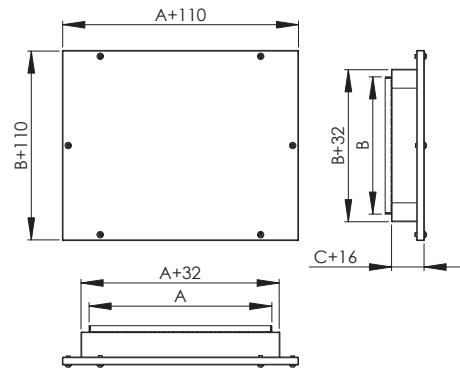
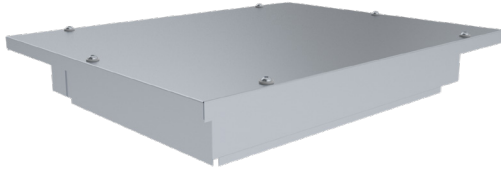


TLTK

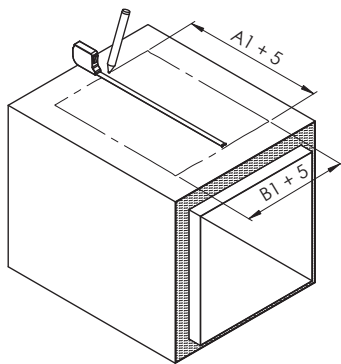


NORDdoor - Installation instructions

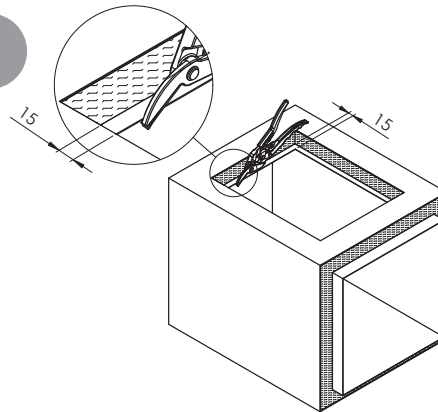
TLTE



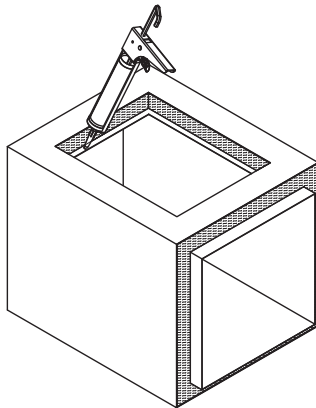
1



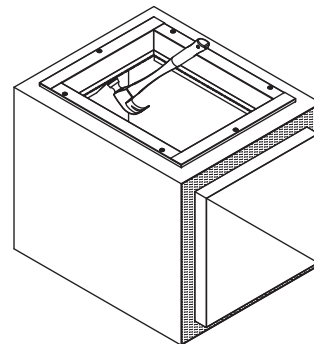
2



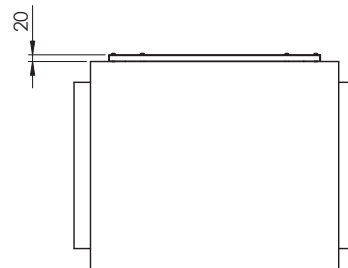
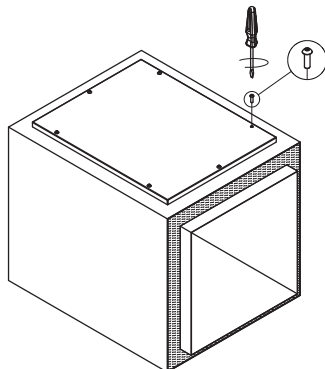
3



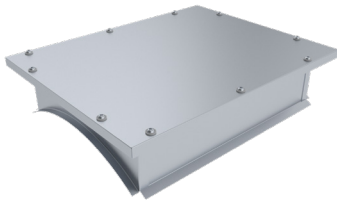
4



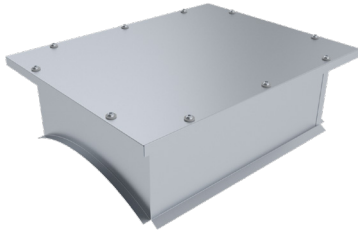
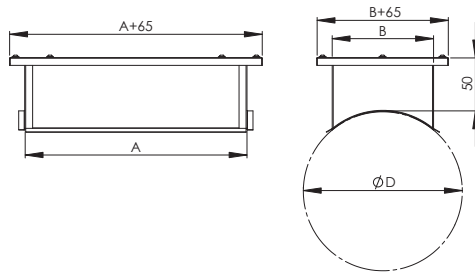
5



NORDdoor - Installation instructions



TPL



TPLE

